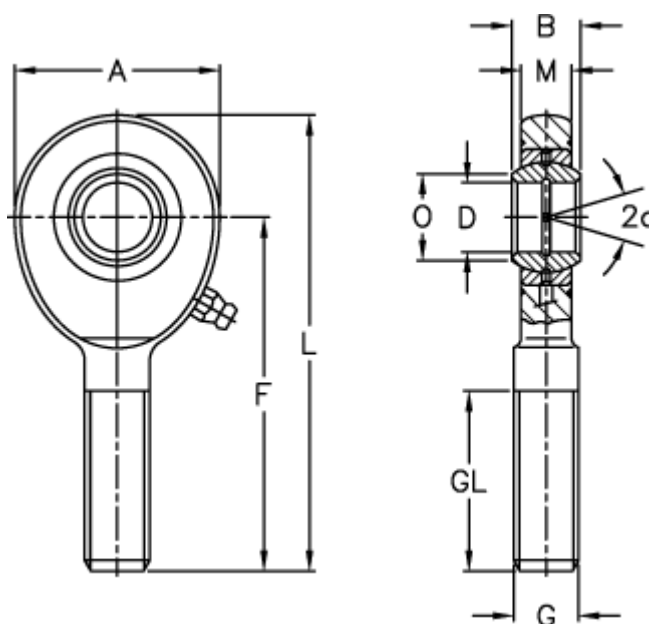


Article number: 03483025
 Description: Fluro Rod end EAL 25-2RS
 Note: 25

Measures



| | | | |
|--------------------|---------|-----------------|--------|
| A | = 64 | L | = 126 |
| a (degrees) | = 7 | M | = 17 |
| B | = 20 | O | = 29.3 |
| D | = 25 | Static drive kN | = 92 |
| Dynamic drive (kN) | = 48 | Weight | = 560 |
| F | = 94 | | |
| g | = M24x2 | | |
| GL | = 53 | | |